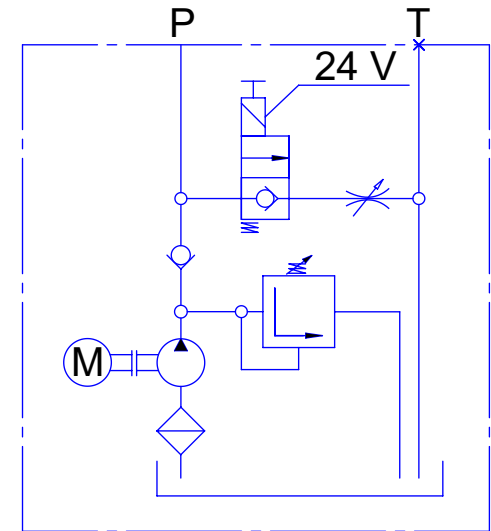


Hydraulic Circuit
P, T = G 3/8



ELECTRIC MOTOR

PUMP & OIL TANK

MAX. PRESSURE

Power: 1,6 kW

Pump displacement: 2.7 cc/rev

P: 140 bar

Voltage: 24 V DC

Tank Capacity: 10 liter cylinder, horizontal

Notes:

	NAME	SIGNATURE	DATE	MATERIAL:
DESIGNED BY	H. TARHAN		23.11.2016	

DIMENSIONS: mm

DESCRIPTION	A4
MINI POWER PACK FOR TIPPER	
SCALE: 1:5	PAGE 1 / 1



Sanayi Mah. İzmit Sanayi Sitesi 13. Cad. İç Kapı No: 54 İzmit/KOCAELI - TURKEY
Tel: +90 262 335 63 66 Fax: +90 262 335 63 70
www.hydropack.com.tr / info@hydropack.com.tr