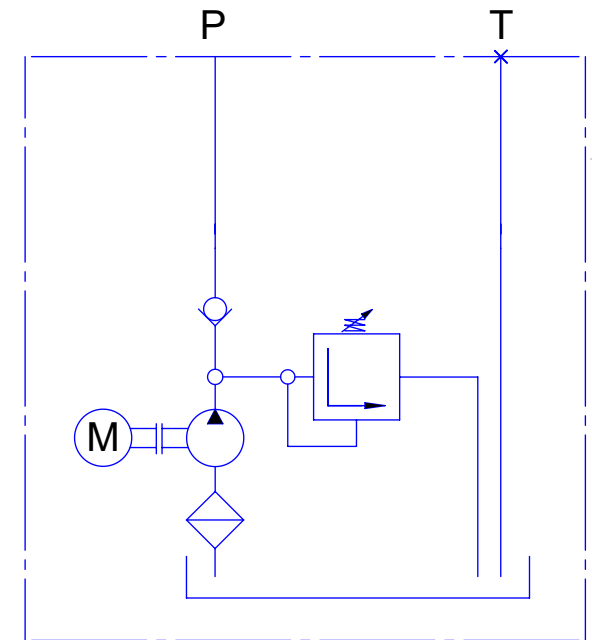


Hydraulic Circuit
P, T = G 3/8



ELECTRIC MOTOR

PUMP & OIL TANK

MAX. PRESSURE

Power: 2.2 kW

Pump displacement: 3.7 cc/rev

P: 200 bar

Voltage: 380 V AC

Tank Capacity: 25 liter square tank

Notes:



Sanayi Mah. İzmit Sanayi Sitesi 13. Cad. İç Kapı No: 54 İzmit/KOCAELİ - TURKEY
Tel: +90 262 335 63 66 Fax: +90 262 335 63 70
www.hydropack.com.tr / info@hydropack.com.tr

	NAME	SIGNATURE	DATE	MATERIAL:
DESIGNED BY	H. TARHAN		16.12.2016	

DESCRIPTION	A4
MINI POWER PACK	